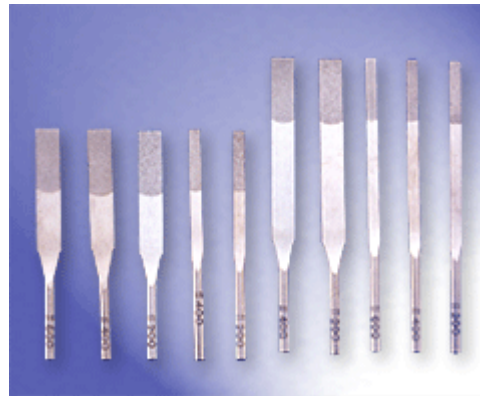
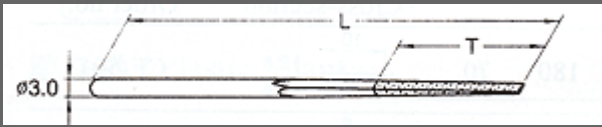
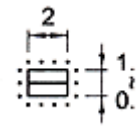

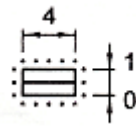

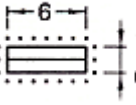




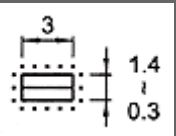

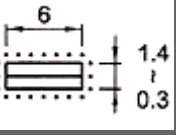

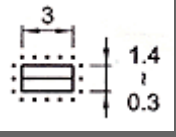
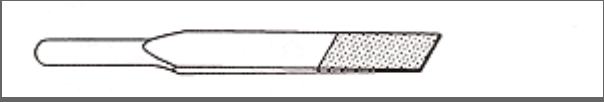
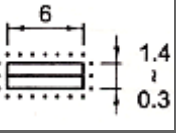
Diamant-Maschinenflachfeilen




Maß: mm

MTP Serie	L	T	Cross-section	Kör.	Best.-Nr.
	70	25		#150 #200 #300 #400	MTP-12J MTP-12F MTP-12H MTP-12V
	70	25		#150 #200 #300 #400	MTP-14J MTP-14F MTP-14H MTP-14V
	70	25		#150 #200 #300 #400	MTP-16J MTP-16F MTP-16H MTP-16V

 MTP-120 : 12er. Set / PVC Tasche

MTF Serie	L	T	Cross-section	Kör.	Best.-Nr.
	72	15		#200 #400 #600	MTF-13F MTF-13V MTF-13X
	72	15		#200 #400 #600	MTF-16F MTF-16V MTF-16X
	56	15		#200 #400 #600	MTF-23F MTF-23V MTF-23X
	56	15		#200 #400 #600	MTF-26F MTF-26V MTF-26X

 MTF-100 : 12er. Set / PVC Tasche